

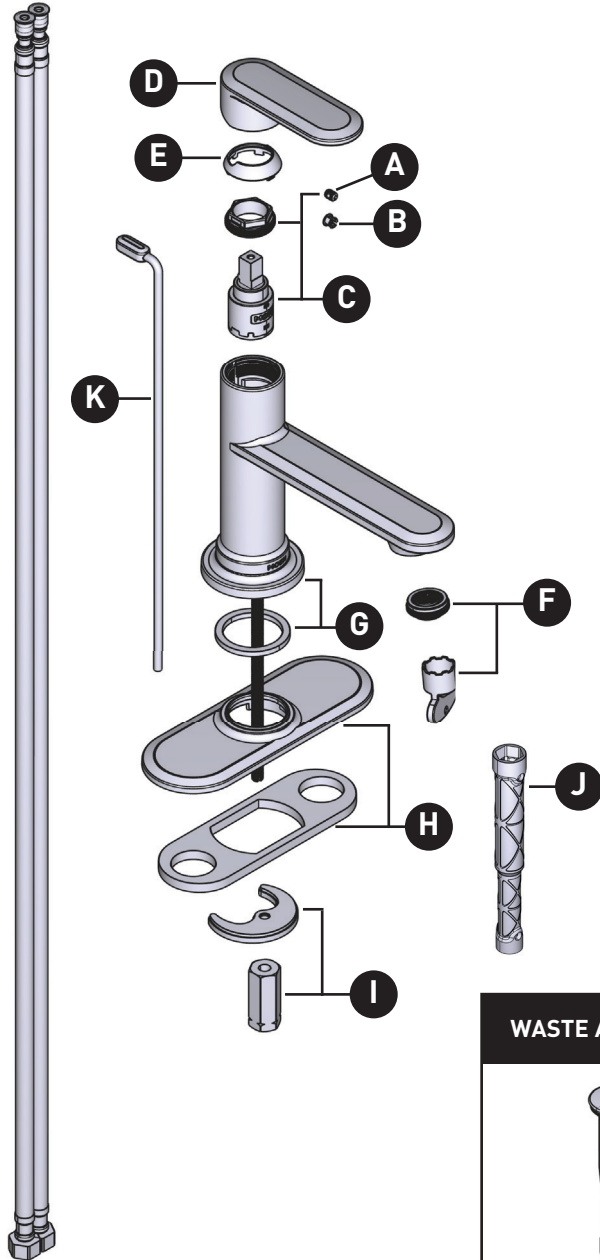
ILLUSTRATED PARTS

GREENFIELD™

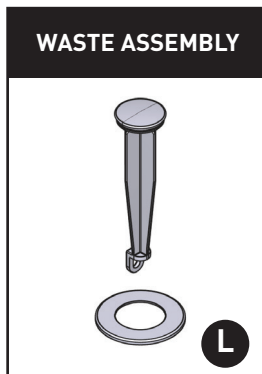
One-Handle Lavatory Faucet

MODELS: 6504 Series

ORDER BY PART NUMBER



ID	Kit Number	Finish
A	155023 (Requires 3/32" hex key)	N/A
B	151644	(Red & Blue)
	152859	Chrome
	152859CSL	Classic Stainless (used with Brushed Nickel)
	152859ORB	Oil Rubbed Bronze
C	202233	N/A
*D	215665	See below
E	201724	Chrome
	201724BN	Brushed Nickel
	201724BL	Matte Black
F	180157 (Includes Tool)	N/A
*G	215666	See below
*H	215667	See below
I	146190	N/A
J	118305	N/A
*K	215668	See below
*L	10709	Use with all finishes except BL
	10709WR	Wrought Iron (Used with Matte Black)
	10790	Metallic Waste For Additional Waste Information see www.moen.com for models below.



*Finish Determined by Suffix	
Finish	Description
C	Chrome
BG	Brushed Gold
BN	Brushed Nickel
BL	Matte Black